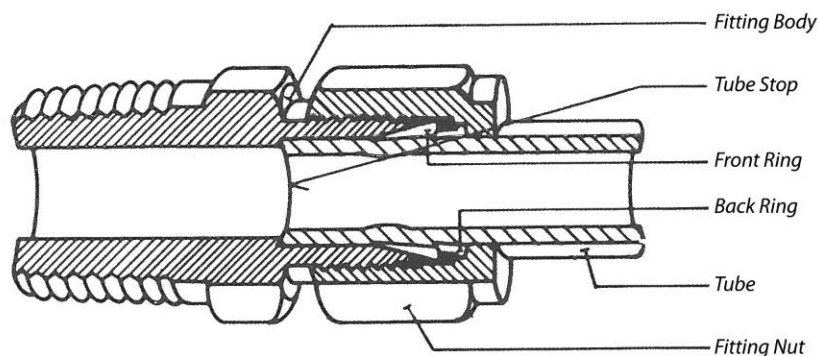


### Connection

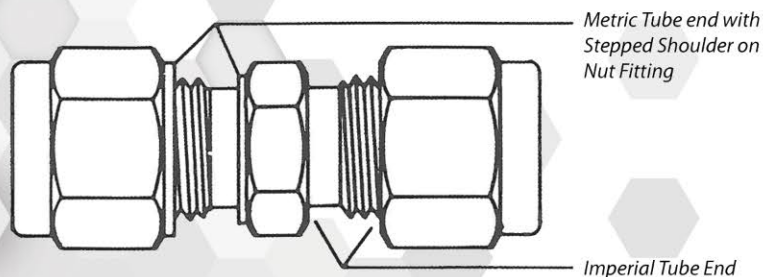
Alco-Lok couplings and compression rings are made from 316 stainless steel with silver plating on the internal nut threads. Stud sizes 1/16" to 1" NPT/BSPT threads are standard. Other materials and connections are available on request.

The cutaway section below shows the sealing action of the Alco-Lok fitting.



### Identification

Alco-Lok fittings in metric sizes have an additional step on the shoulders, nuts and bodies for easy identification.



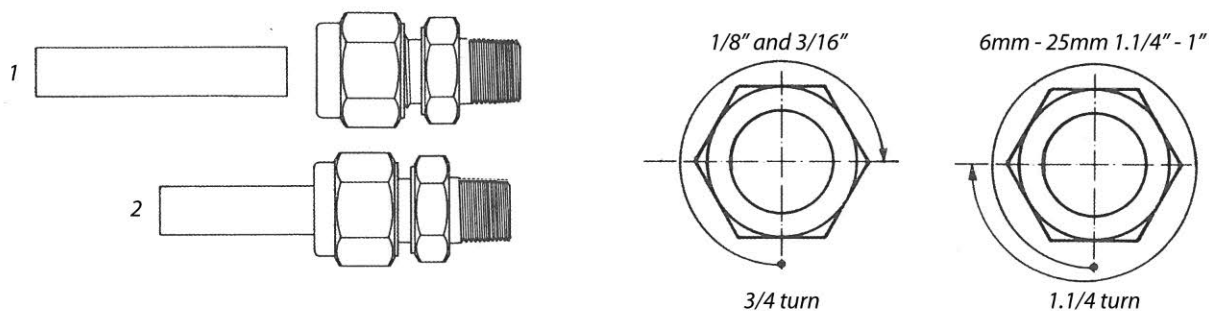
### Assembly

Alco-Lok fittings are delivered completely assembled and ready for immediate use. Disassembly before use can result in dirt or foreign materials getting into the fittings and causing leaks.

### Installation Instructions

Alco-Lok fittings are installed in two simple steps.

1. Insert the tubing into the Alco-Lok tube fitting until it bottoms in the body.
2. Tighten the nut to finger tight and tighten as follows:  
Mark the nut to help count the number of turns and tighten 1 1/4 turns.  
(For sizes 1/8" and 3/16" only tighten 3/4 turns)



### Re-assembly of Alco-Lok fittings

Alco-Lok fittings can be assembled and disassembled repeatedly.

